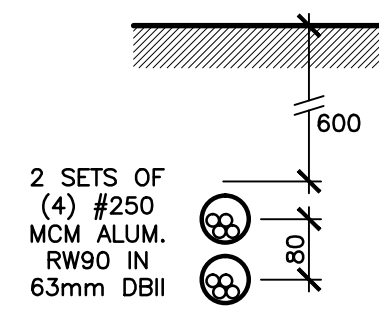
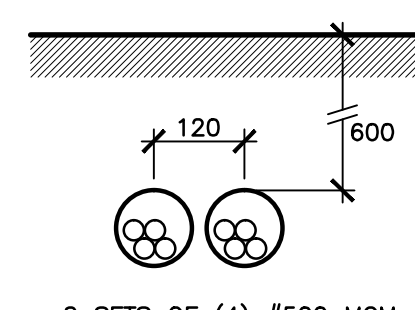


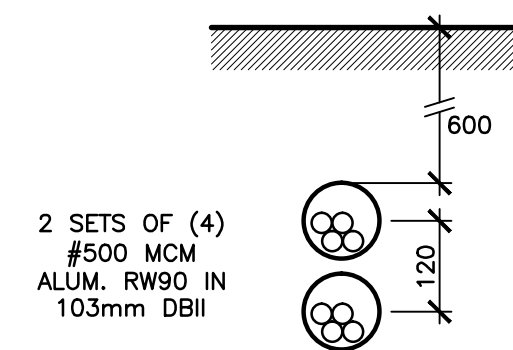
400A MAIN INCOMING SERVICE ARRANGEMENT
SCALE: N.T.S.



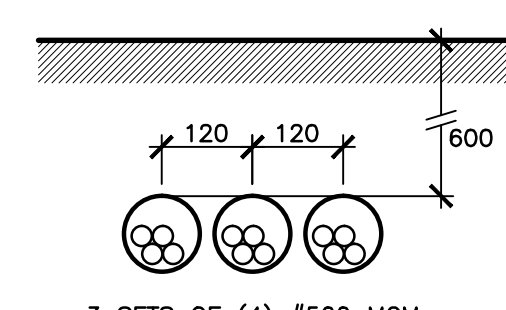
400A MAIN INCOMING SERVICE ARRANGEMENT
SCALE: N.T.S.



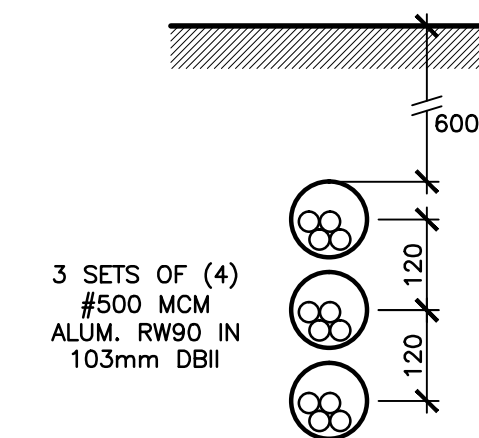
600A MAIN INCOMING SERVICE ARRANGEMENT
SCALE: N.T.S.



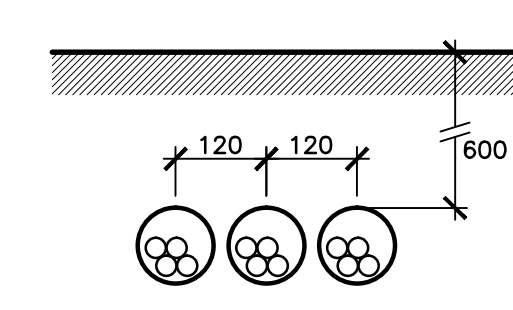
600A MAIN INCOMING SERVICE ARRANGEMENT
SCALE: N.T.S.



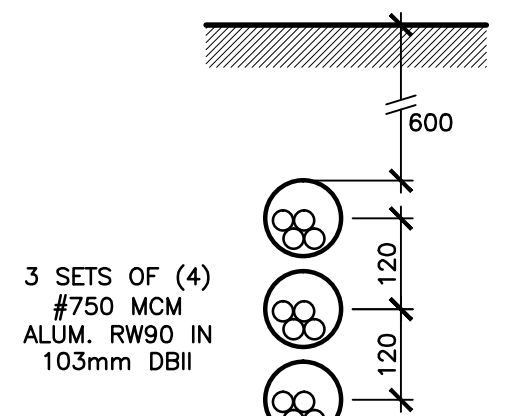
800A MAIN INCOMING SERVICE ARRANGEMENT
SCALE: N.T.S.



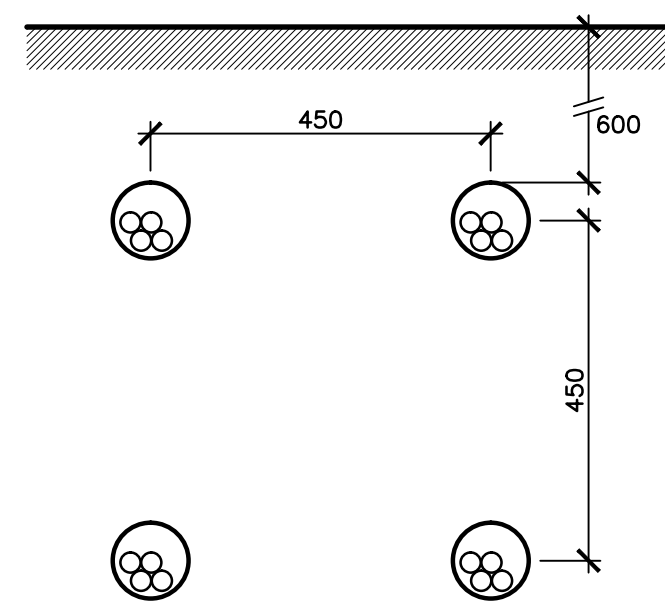
800A MAIN INCOMING SERVICE ARRANGEMENT
SCALE: N.T.S.



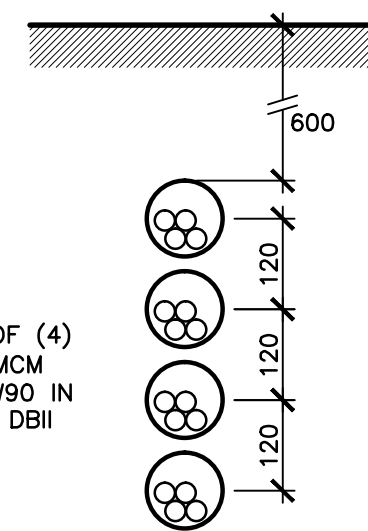
1000A MAIN INCOMING SERVICE ARRANGEMENT
SCALE: N.T.S.



1000A MAIN INCOMING SERVICE ARRANGEMENT
SCALE: N.T.S.

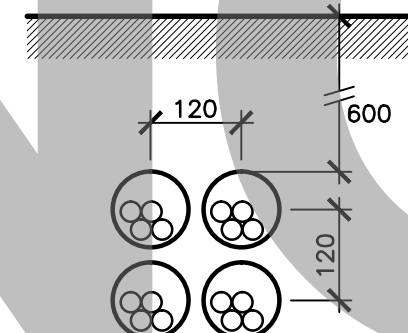


1200A MAIN INCOMING SERVICE ARRANGEMENT
SCALE: N.T.S.

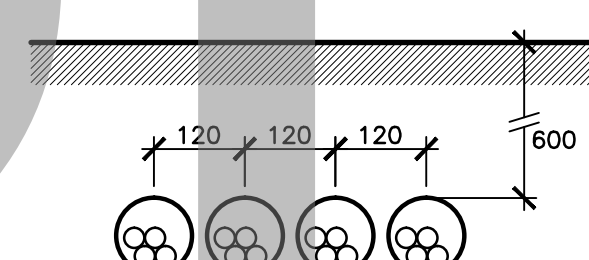


1200A MAIN INCOMING SERVICE ARRANGEMENT
SCALE: N.T.S.

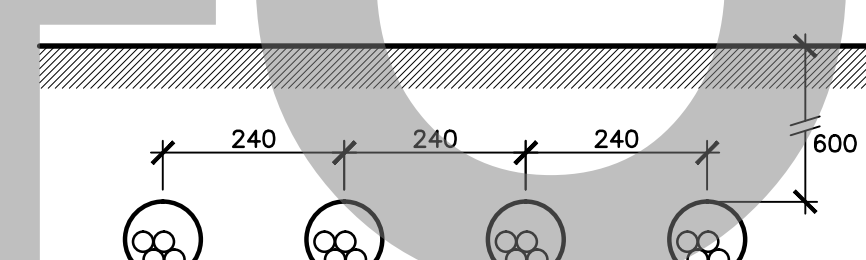
NOT FOR CONSTRUCTION



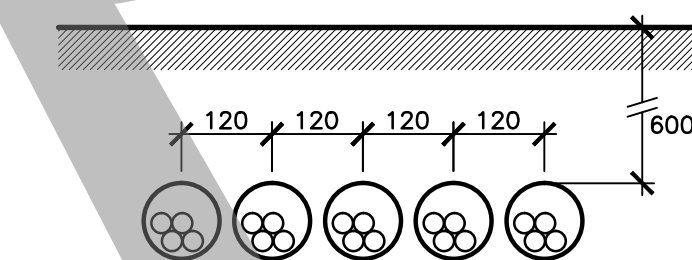
1200A MAIN INCOMING SERVICE ARRANGEMENT
SCALE: N.T.S.



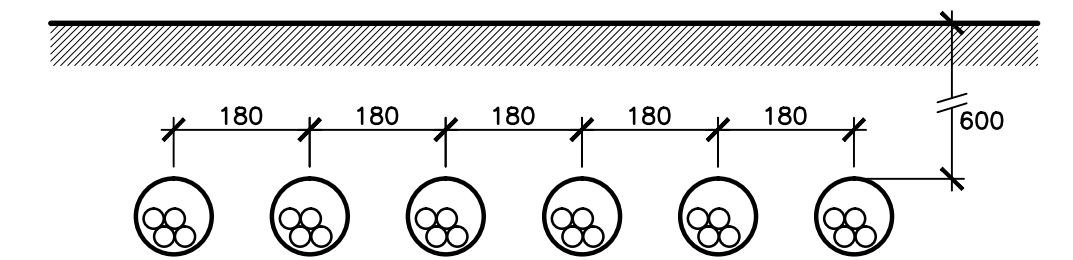
1200A MAIN INCOMING SERVICE ARRANGEMENT
SCALE: N.T.S.



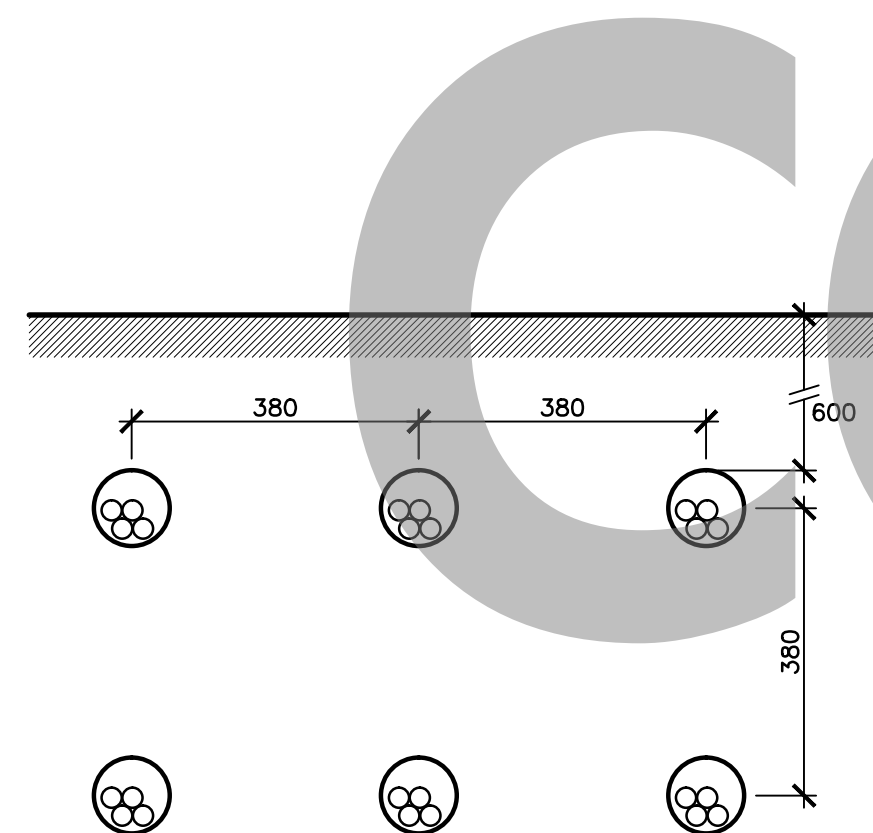
1200A MAIN INCOMING SERVICE ARRANGEMENT
SCALE: N.T.S.



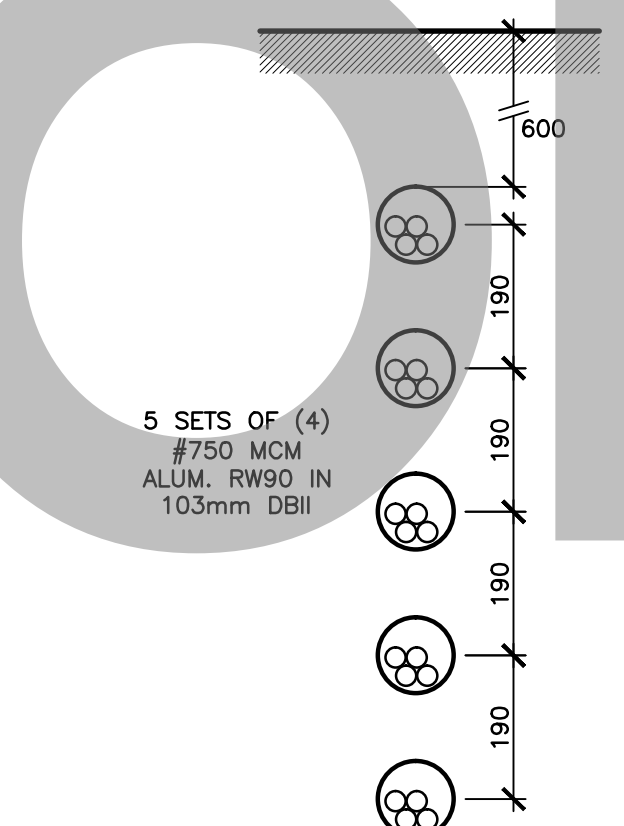
1600A MAIN INCOMING SERVICE ARRANGEMENT
SCALE: N.T.S.



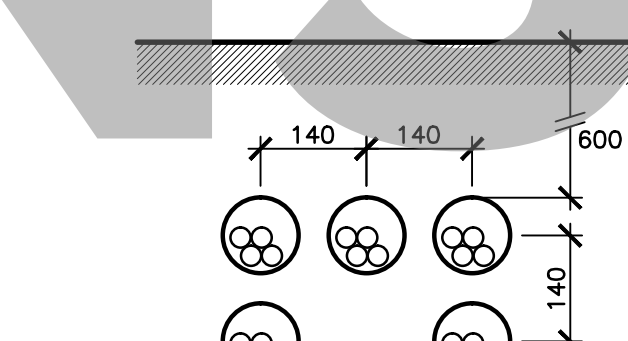
1600A MAIN INCOMING SERVICE ARRANGEMENT
SCALE: N.T.S.



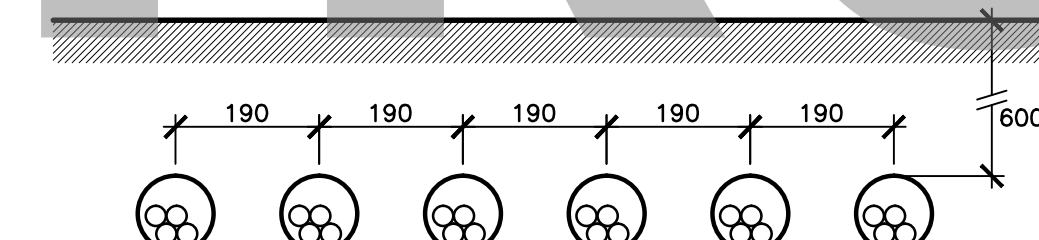
1600A MAIN INCOMING SERVICE ARRANGEMENT
SCALE: N.T.S.



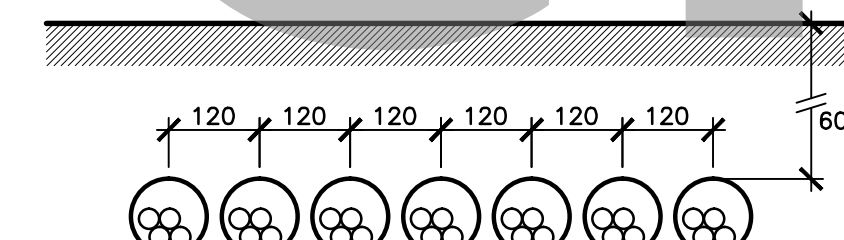
1600A MAIN INCOMING SERVICE ARRANGEMENT
SCALE: N.T.S.



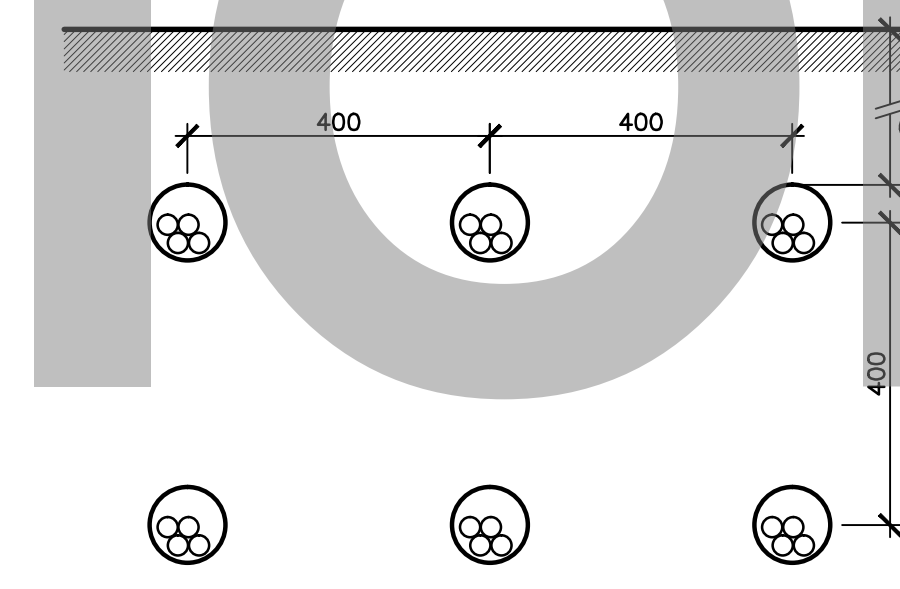
1600A MAIN INCOMING SERVICE ARRANGEMENT
SCALE: N.T.S.



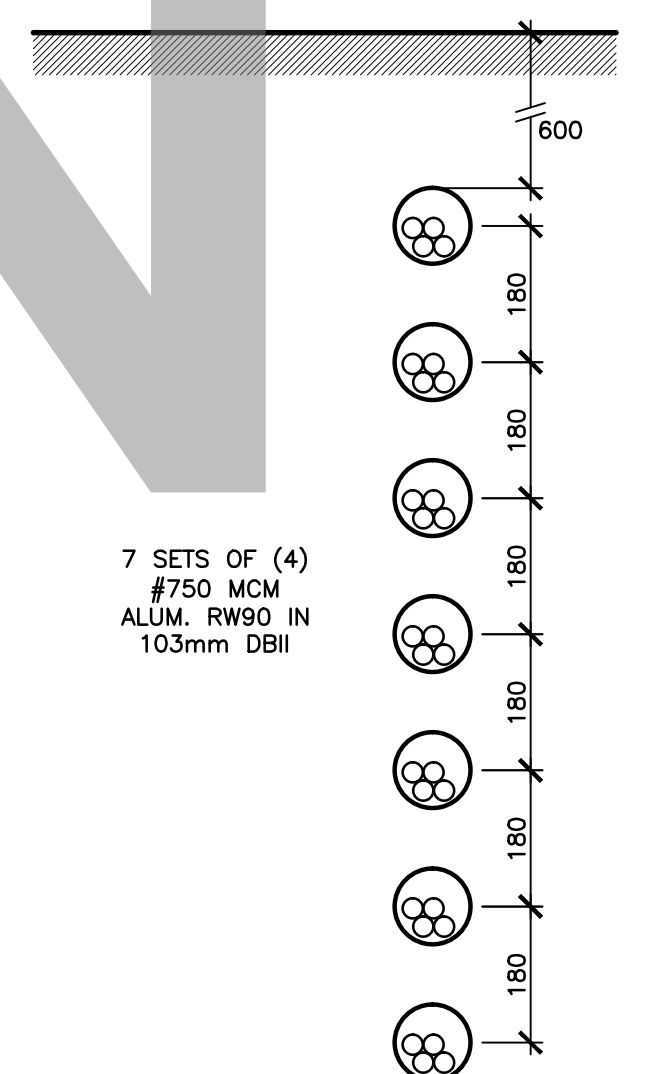
2000A MAIN INCOMING SERVICE ARRANGEMENT
SCALE: N.T.S.



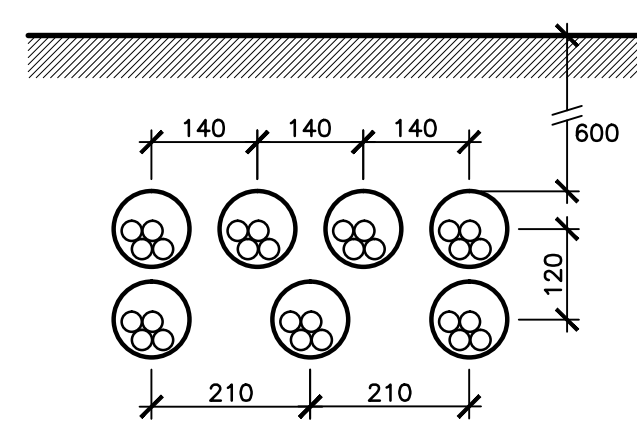
2000A MAIN INCOMING SERVICE ARRANGEMENT
SCALE: N.T.S.



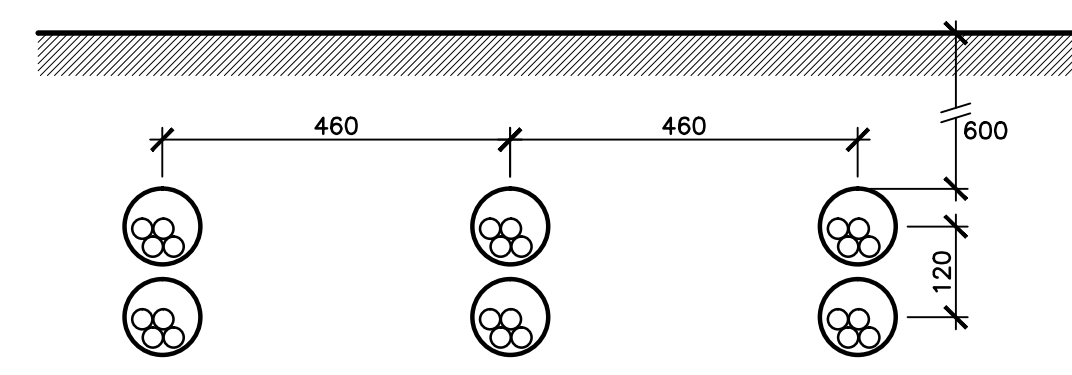
2000A MAIN INCOMING SERVICE ARRANGEMENT
SCALE: N.T.S.



2000A MAIN INCOMING SERVICE ARRANGEMENT
SCALE: N.T.S.



2000A MAIN INCOMING SERVICE ARRANGEMENT
SCALE: N.T.S.



2000A MAIN INCOMING SERVICE ARRANGEMENT
SCALE: N.T.S.

CABLE ARRANGEMENTS SHOWN HAVE BEEN SIMULATED IN ACCORDANCE WITH THE METHODS USED IN THE IEEE 835. SPECIFIC INPUT PARAMETERS AND ASSUMPTIONS HAVE BEEN MADE WHICH MAY NOT BE APPLICABLE TO EVERY PROJECT. 908 ENGINEERING PROVIDES NO WARRANTIES AND ASSUMES NO LIABILITY FOR THE CONTENT SHOWN HERE.

COPYRIGHT 908 ENGINEERING INC.
DO NOT REPRODUCE WITHOUT PERMISSION

REV.	DATE	DESCRIPTION
A	28 MAY 2021	ISSUED FOR PUBLIC REFERENCE

PROJECT:	PROPOSED UNDERGROUND ELECTRICAL SERVICE ARRANGEMENTS VARIOUS LOCATIONS	FILE NO:	N/A
		DWG NO:	EU1
400A TO 2000A ALUMINIUM RW90		OF 2	

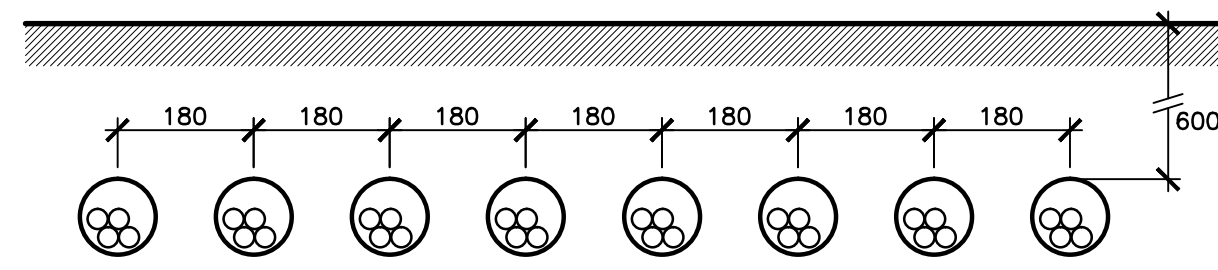
ALL NOTED DRAWING SCALES ARE ONLY VALID IF THIS LINE IS EXACTLY ONE INCH LONG

908 Engineering INCORPORATED

PO Box 20020 Red Deer, AB T4N 6X5
Phone: 403.986.2939 Web: 908eng.com

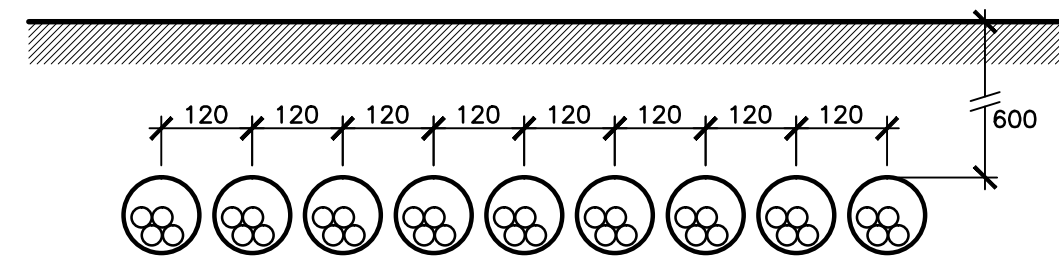
DRAWN: COB CHECK: KAM DATE: 28 MAY 21

NOT FOR CONSTRUCTION GENERAL REFERENCE ONLY



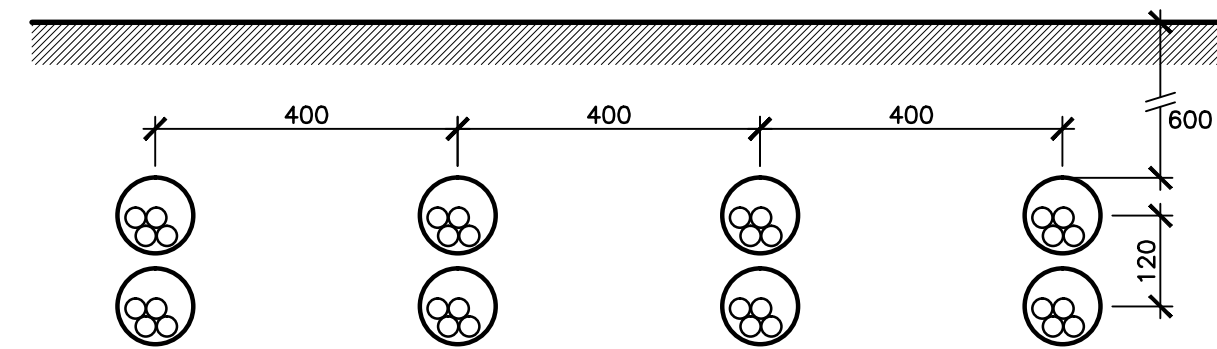
8 SETS OF (4) #750 MCM
ALUM. RW90 IN 103mm DBII

**2500A MAIN INCOMING
SERVICE ARRANGEMENT**
SCALE: N.T.S.



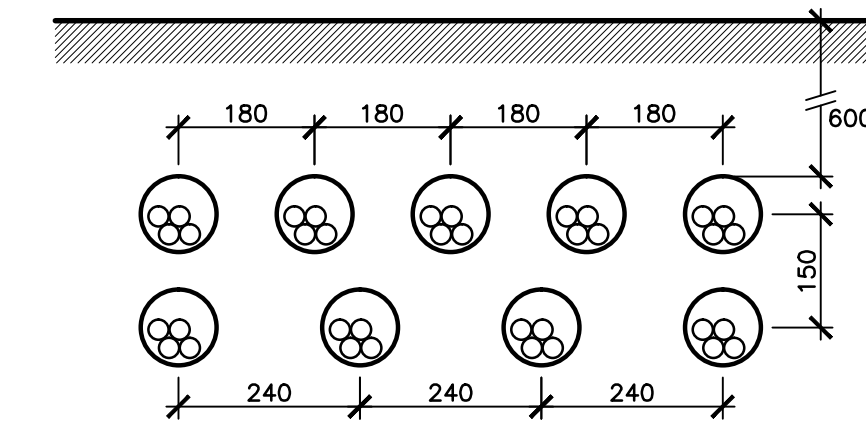
9 SETS OF (4) #750 MCM
ALUM. RW90 IN 103mm DBII

**2500A MAIN INCOMING
SERVICE ARRANGEMENT**
SCALE: N.T.S.



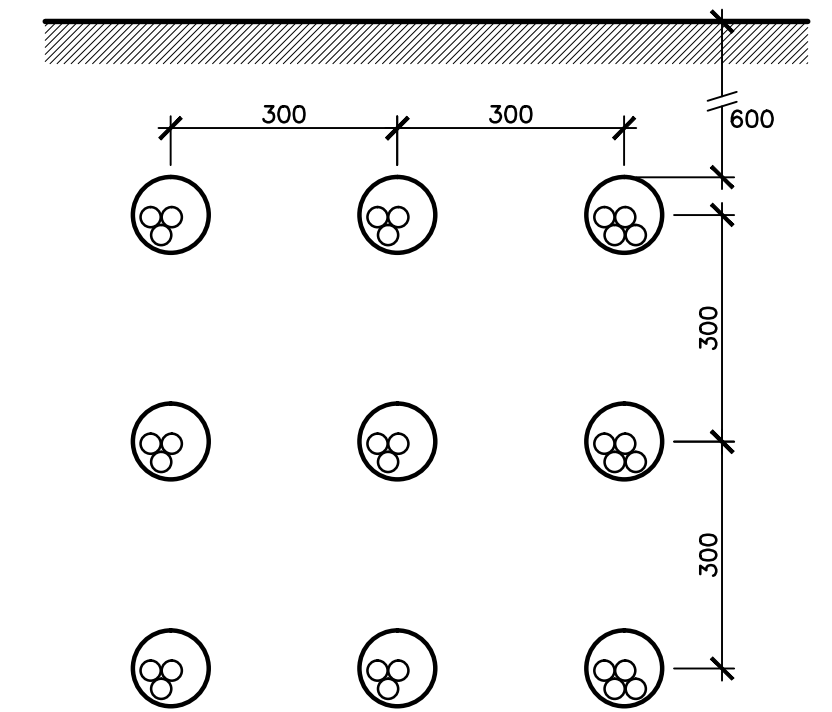
8 SETS OF (4) #750 MCM
ALUM. RW90 IN 103mm DBII

**2500A MAIN INCOMING
SERVICE ARRANGEMENT**
SCALE: N.T.S.



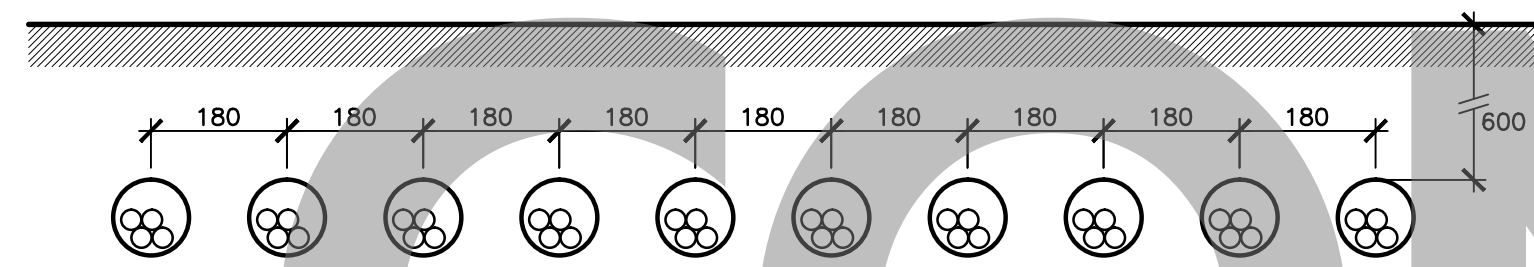
9 SETS OF (4) #750 MCM
ALUM. RW90 IN 103mm DBII

**2500A MAIN INCOMING
SERVICE ARRANGEMENT**
SCALE: N.T.S.



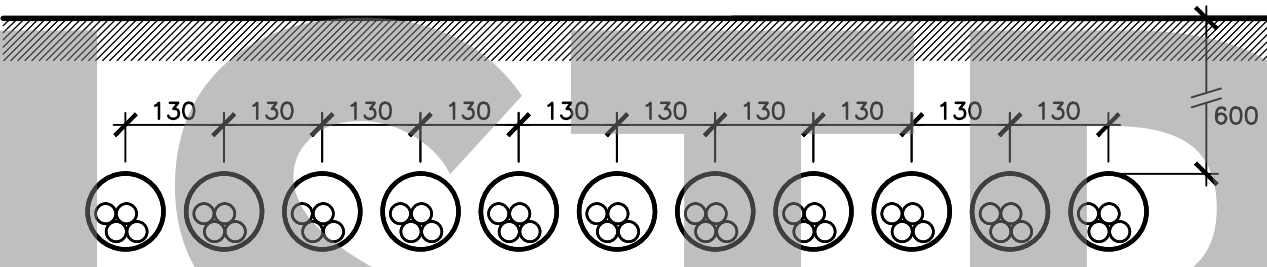
9 SETS OF (4) #750 MCM
ALUM. RW90 IN 103mm DBII

**2500A MAIN INCOMING
SERVICE ARRANGEMENT**
SCALE: N.T.S.



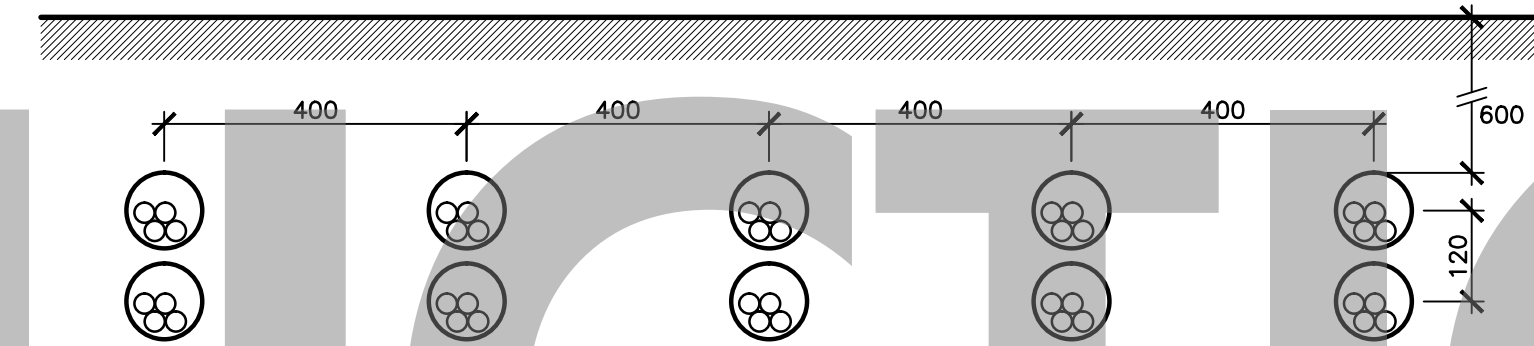
10 SETS OF (4) #750 MCM
ALUM. RW90 IN 103mm DBII

**3000A MAIN INCOMING
SERVICE ARRANGEMENT**
SCALE: N.T.S.



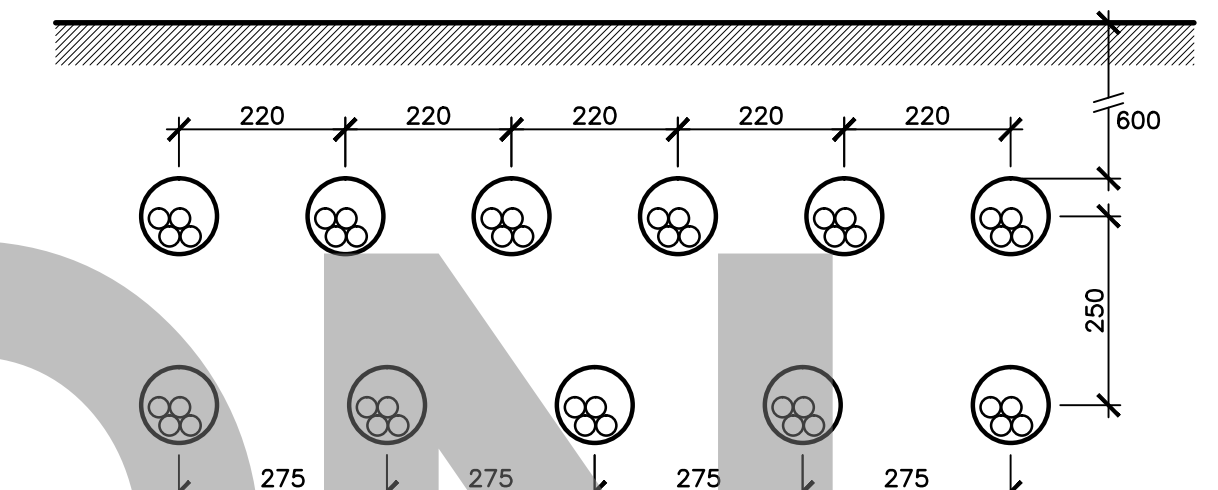
11 SETS OF (4) #750 MCM
ALUM. RW90 IN 103mm DBII

**3000A MAIN INCOMING
SERVICE ARRANGEMENT**
SCALE: N.T.S.



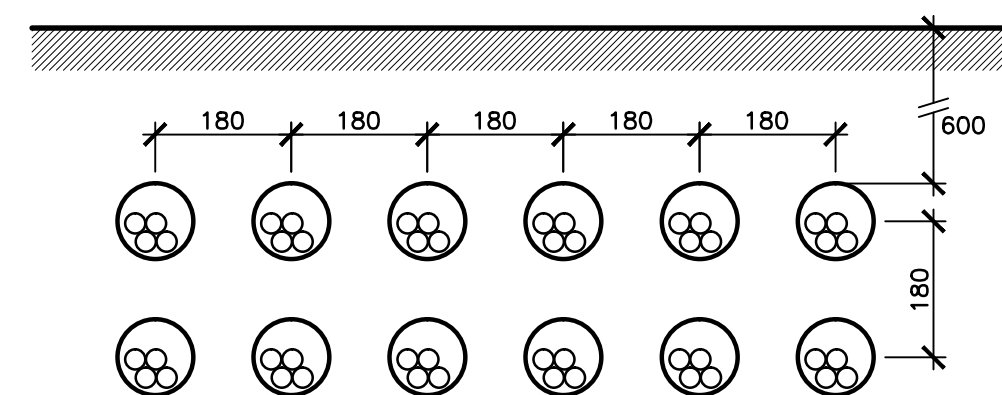
10 SETS OF (4) #750 MCM
ALUM. RW90 IN 103mm DBII

**3000A MAIN INCOMING
SERVICE ARRANGEMENT**
SCALE: N.T.S.



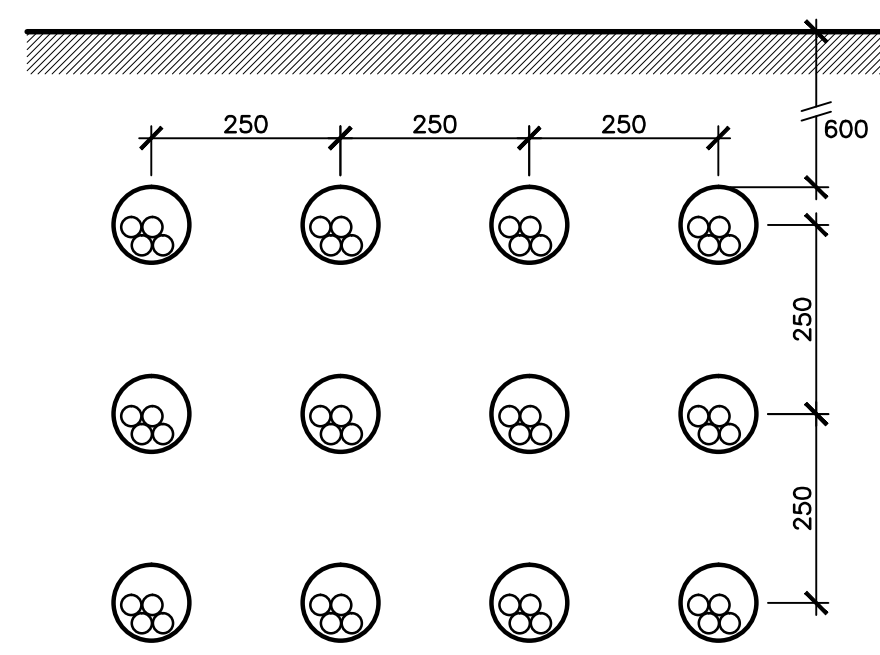
11 SETS OF (4) #750 MCM
ALUM. RW90 IN 103mm DBII

**3000A MAIN INCOMING
SERVICE ARRANGEMENT**
SCALE: N.T.S.



12 SETS OF (4) #750 MCM
ALUM. RW90 IN 103mm DBII

**3000A MAIN INCOMING
SERVICE ARRANGEMENT**
SCALE: N.T.S.



12 SETS OF (4) #750 MCM
ALUM. RW90 IN 103mm DBII

**3000A MAIN INCOMING
SERVICE ARRANGEMENT**
SCALE: N.T.S.

NOT FOR

CONSTRUCTION

CABLE ARRANGEMENTS SHOWN HAVE BEEN SIMULATED IN ACCORDANCE WITH THE METHODS USED IN THE IEEE 835. SPECIFIC INPUT PARAMETERS AND ASSUMPTIONS HAVE BEEN MADE WHICH MAY NOT BE APPLICABLE TO EVERY PROJECT. 908 ENGINEERING PROVIDES NO WARRANTIES AND ASSUMES NO LIABILITY FOR THE CONTENT SHOWN HERE.

COPYRIGHT 908 ENGINEERING INC.
DO NOT REPRODUCE WITHOUT PERMISSION

REV.	DATE	DESCRIPTION
A	28 MAY 2021	ISSUED FOR PUBLIC REFERENCE

ALL NOTED DRAWING SCALES ARE ONLY VALID IF THIS LINE IS EXACTLY ONE INCH LONG

908 Engineering INCORPORATED
PO Box 20020 Red Deer, AB T4N 6X5
Phone: 403.986.2939 Web: 908eng.com

DRAWN: COB CHECK: COB DATE: 28 MAY 21

**NOT FOR CONSTRUCTION
GENERAL REFERENCE ONLY**

PROJECT: PROPOSED UNDERGROUND ELECTRICAL SERVICE ARRANGEMENTS VARIOUS LOCATIONS	FILE NO: N/A
2500A & 3000A ALUMINIUM RW90	DWG NO: EU2
	OF 2